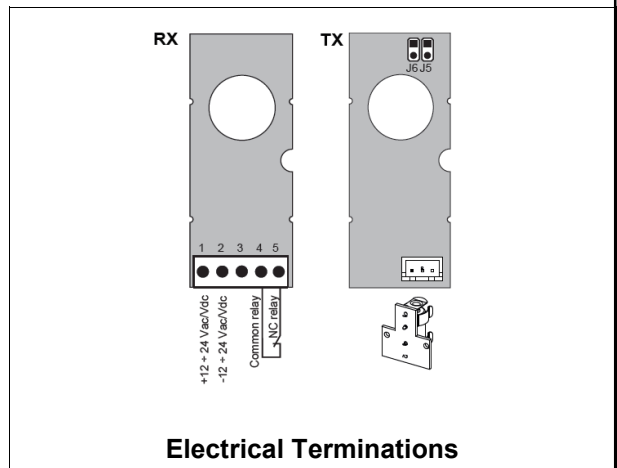
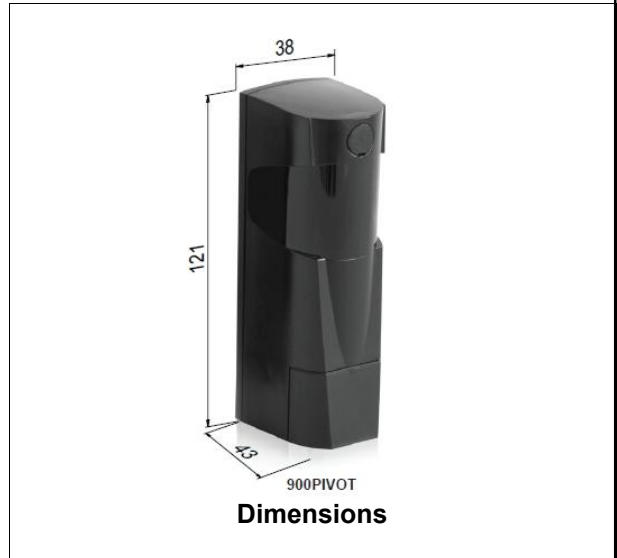




900PIVOT-B Battery Powered Emitter, Wired Receiver Photocells
Surface mount, horizontally adjustable beams up to 210°.
Synchronisation via Jumpers to allow the installation of up to 4 sets of Photocells. 12/24 V ac/dc, 20 metre range.

Performance	Receiver	Transmitter
Sensing Distance	8 metre range may be reduced up to 60% in fog, rain, snow etc.	
Emission	Infrared	
Nominal Voltage	12/24V ac/dc	3.6V dc (1/2AA) Lithium Battery
Output	1 Relay: N.C. 500mA / 24V	N/A
Alignment LED	Yes	—
Absorbed Power	40mA @ 12Vdc 11mA @ 12Vac 60mA @ 24Vdc 10mA @ 24Vac	60µA
Protection Degree	IP 54	
Mounting	Surface	
Beam Alignment	Adjustable up to 210° Horizontally	
Dimensions	W 38mm x H 121mm x D 43mm	



3.6V dc (1/2AA) Lithium Battery
Location in the Transmitter

Up to 30 Months Operation on
5 metre setting of Jumper J6

